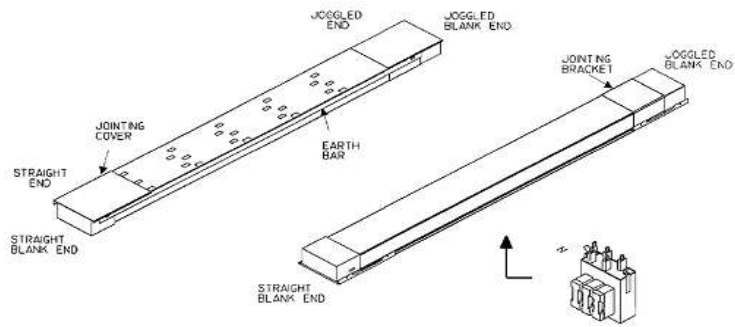


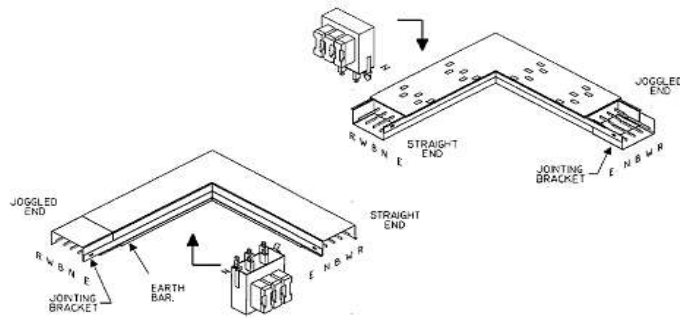
Intertech Engineering: PowerPOINT Components

POWERPOINT COMPONENTS

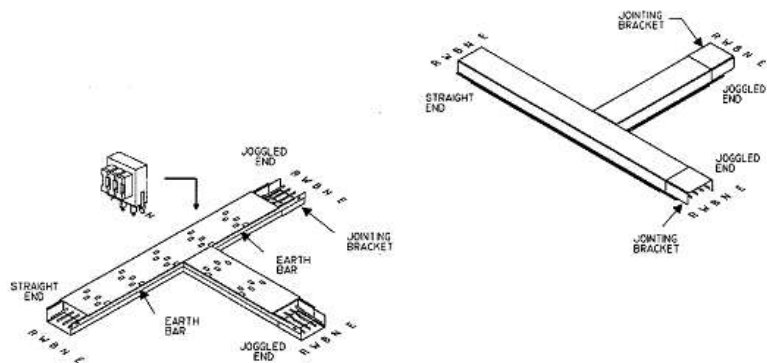
Straight Lengths, 3.66m or special lengths built to fit.

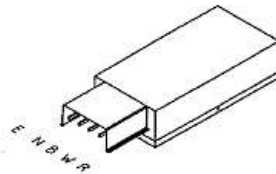
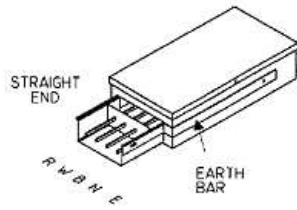


90 degree elbow, other angle can be built.

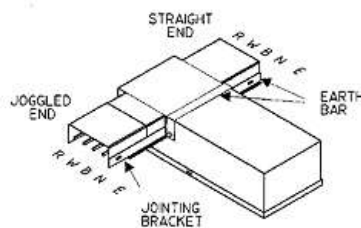
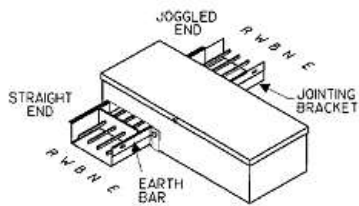


Tee right angle connection to another Powerpoint busway.

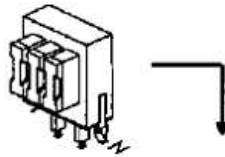
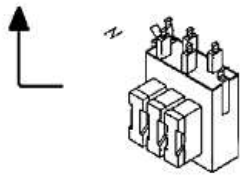




End Feed Boxes.



Centre Feed.



Plugs available in any configuration. Powerpoint can be mounted in any plane.

PLUG-IN BOXES

A standard range of Single Phase or Three Phase Plug-in boxes is available.

- Fused boxes with either 32A, 63A or 100A HRC fuses bases.
- Circuit Breaker boxes fitted with MCBs from 4A to 100A
- Circuit Breaker boxes fitted with MCBs and Earth Leakage Circuit Breakers from 4A to 100A

As well as the standard range of take-off boxes, non-standard boxes can be fitted with a range of protective devices and switches, as well as take-off boxes with pre-made leads and switched outlets.

For more information contact [Intertech](#);

Ph: +61 3 8770 5500

Fax: +61 3 9773 5666

Email: sales@intertech-eng.com.au