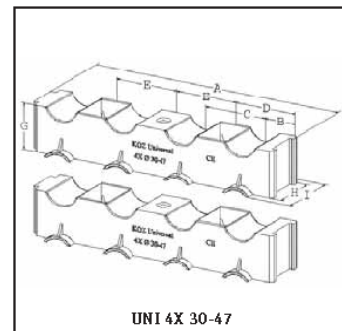
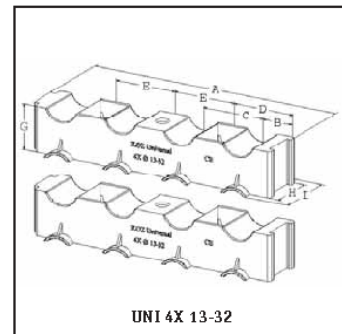
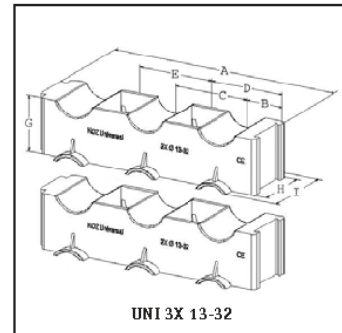


SPECIFICATIONS KOZ UNI CABLE MOUNTING BLOCKS

- Application** : suitable for fitting a number of single- and multiple-conductor low-, medium- and high-voltage cables alongside or in layers above each other
- Range of sizes** : for cables with nominal outer diameters of 13 to 47 mm
- Testing** : tested by KEMA Netherlands and Underwriters Laboratories Inc. No mechanical loss of strength occurs within a temperature range of -40°C to +135°C. Fire resistance follow Norm VDE 0304, Part 3, Class II A. Glow Wire Tests are been done follow Norm IEC 695-2-1 Needle Flame Tests follow Norm IEC 695-2-2
- Mechanical strength** : in ascending sizes, type UNI blocks, increasing from 19,000 N to more than 27,000 N
- Type** : the type indications of the UNI blocks also indicate the nominal cable diameters that can be fitted in the blocks
- Fitting** : the unique dovetail construction means the KOZ UNI blocks can be joined, thereby increasing their flexibility and the number of ways in which they can be used
- Recommended maximum tightening moment of the fastening material** : 5 - 8 Nm (also depends on cable manufacturer's instructions)



Dimensions in millimetres

Type	A	B	C	D	E	F	G	H	I	Weight/Gram
3x Ø13-32	186,5	32,25	60,5	62,75	60,5	10,5	43,0	45,0	61,0	145
4x Ø13-32	246,5	32,25	60,5	62,75	60,5	10,5	43,0	45,0	61,0	205
4x Ø30-47	345,0	44,5	85,0	87,5	85,0	13,0	65,0	50,0	66,0	375

No rights may be derived from the indicated sizes, as the products are subject to ongoing development. KOZ therefore reserves the right to implement these changes without notice. For the most up-to-date information, see our Internet site: www.kozproducts.com

INTERTECH

Intertech Engineering Pty. Ltd.

Head Office
15 Sir Laurence Drive
Seaford, VIC 3198
AUSTRALIA
(P.O. Box 2117 Seaford DC VIC 3198)

Phone: +61 3 8770 5500
Fax: +61 3 9773 5666
E-mail: sales@intertecheng.com.au

www.intertech-eng.com.au