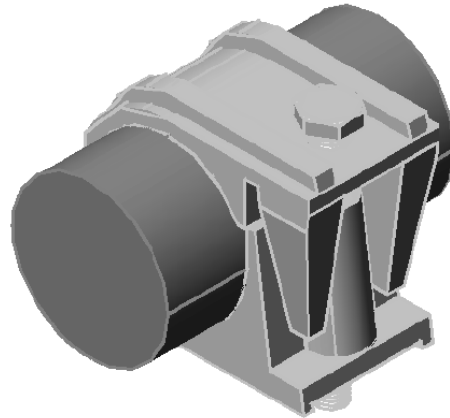


Data Sheet

CABUS Cast Aluminium Single Cable Clamps – 51 Supergrip Series

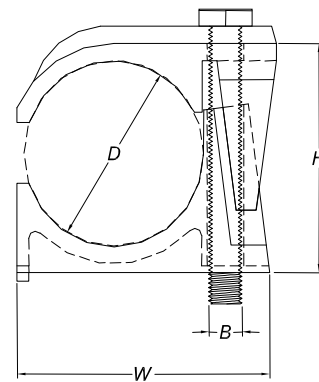
The Cast Aluminium Supergrip Series clamps are designed for use in high rise buildings, shafts and tunnels. The unique interlocking design of the base and top prevents the clamp opening under axial cable forces. Features include:

- ✓ The top to base interlock relieves bending stress on the fixing bolt and allows a higher clamping force without kinking or pinching the cable.
- ✓ The base fits into standard mounting channels and provides automatic alignment and prevents twisting under load.
- ✓ Self aligning, compact design makes installation quick, simple and positive.
- ✓ Non-magnetic for single core cables.



Clamp Dimensions

Clamp No.	Cable OD (D) (mm)	H (mm)	W (mm)	Bolt Diameter ¹ (B) (mm)
5125	19-25	31	41	10
5130	24-30	36	46	10
5135	29-35	41	51	10
5141	34-41	48	58	10
5147	40-47	54	64	10
5154	46-54	61	71	10



1 Fixing bolt supplied by customer