

Data Sheet

CABUS Cast Aluminium Single Cable Clamps – 58/59 Series

Simple two-bolt fix and locate cable clamp suitable for either channel mount – 58 Series, or surface mount – 59 Series.

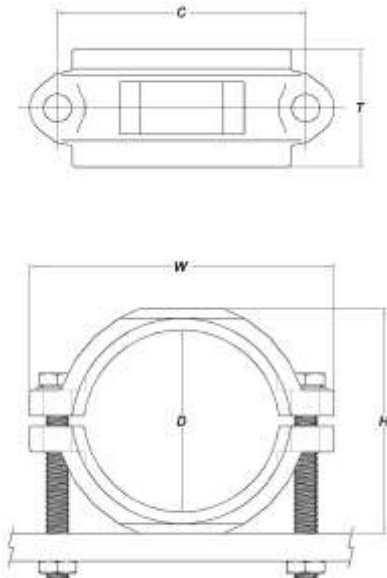
Channel mount interlocks with standard fixing channels.

Clamp Dimensions

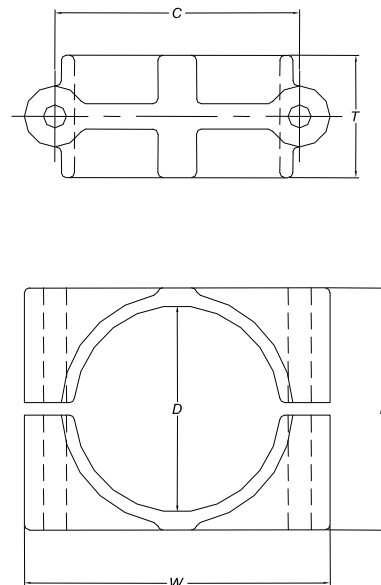
Clamp No.	Cable OD (mm)	C (mm)	W (mm)	T (mm)	H (mm)	Fixing Bolt Length (mm)	Fixing Bolt Hole dia (mm)
5857	50-57	77	99	45	69	65	10
5864	56-64	84	106	45	76	70	10
5870	62-70	90	112	45	82	70	10
5877	68-77	97	119	45	89	75	10
5884	75-84	105	127	50	96	75	10
5955	50-55	70	93	45	67	ns	10
5960	55-60	73	96	45	72	ns	10
5967	61-67	80	105	45	79	ns	10
5974	70-74	89	112	50	88	ns	10
5978	73-78	92	114	50	94	ns	10
5981	76-81	96	121	50	95	ns	8
5987	82-87	102	126	50	101	ns	8
5992	86-92	110	134	59	118	ns	12
5998	91-98	114	138	55	125	ns	10
59105	101-105	124	154	65	120	ns	12
59123	118-123	149	185	52	170	ns	12

ns – 59 series clamp fixing bolts supplied by customer.

Channel Mount – 58 Series



Surface Mount – 59 Series



Neoprene Inserts (NI)

Neoprene Inserts Available. Add NI to Clamp No. e.g. 5870NI
 Standard NI insert is 3mm thick. Other sizes are available upon request.
 Cable OD range is reduced by 3mm i.e. 5870 range becomes 59-67mm