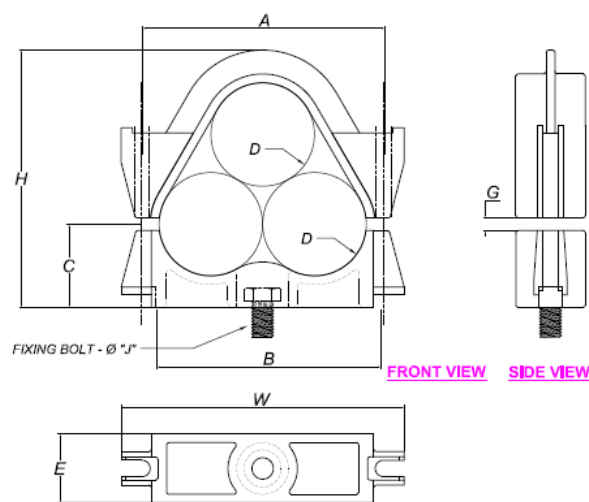


Data Sheet

CABUS Cast Aluminium Trefoil Cable Clamps – 54 Series

Cast Aluminium Trefoil Clamps are designed for three single core cables arranged in a trefoil configuration. The clamps are manufactured from silicone aluminium alloy AC601 for corrosion resistance. Also available in manganese bronze.



BOTTOM VIEW

Clamp No.	Cable OD (mm)	A	B	C	E	G	H	Fixing Bolt ¹	Side Bolt ²	W
5420	19-20	58	73	16	35	4	51	²	M8	81
5427	25-27	68	80	22	38	5	71	²	M8	89
5429	27-29	70	80	22	38	5	73	²	M8	89
5435	33.5-35	87	76	30	38	5	97	M10	M8	108
5437	35-37	87	80	32	38	5	97	M12	M10	111
5440	38-40	98	88	35	40	6.5	104	M12	M10	118
5442	40.5-42.5	102	94	35	41	6.5	111	M12	M10	124
5448	46-48	113	104	40	45	6.5	122	M12	M10	134
5452	50-52	122	112	40	45	6.5	127	M12	M10	143
5454	52-54	126	116	42	45	6.5	131	M12	M10	148
5456	54-56	130	121	45	47	6.5	135	M12	M10	151
5459	56.5-59	130	121	45	48	6.5	137	M16	M10	152
5463	60-63	152	140	50	60	7	160	M16	M12	180
5467	64-67	160	148	53	60	7	167	M16	M12	188
5471	67-71	169	156	57	61	7	177	M16	M12	197
5478	75-78	182	170	58	62	7	187	M16	M12	212
5482	79-82	191	180	62	62	9.5	199	M16	M12	228
5488	84-88	202	190	66	65	10	201	M16	M12	235
5495	93-95	218	204	71	67	12	223	M16	M12	253

1 Fixing Bolt is customer supplied

2 Side bolts are supplied with all clamps except 5420, 5427 and 5429. Standard bolt type is 304 stainless steel.

Neoprene Inserts (NI)

Neoprene Inserts Available. Add NI to Clamp No. e.g. 5454NI

Standard NI insert is 3mm thick. Other sizes are available upon request.

Cable OD range is reduced by 3mm i.e. 5454 range becomes 49-51mm