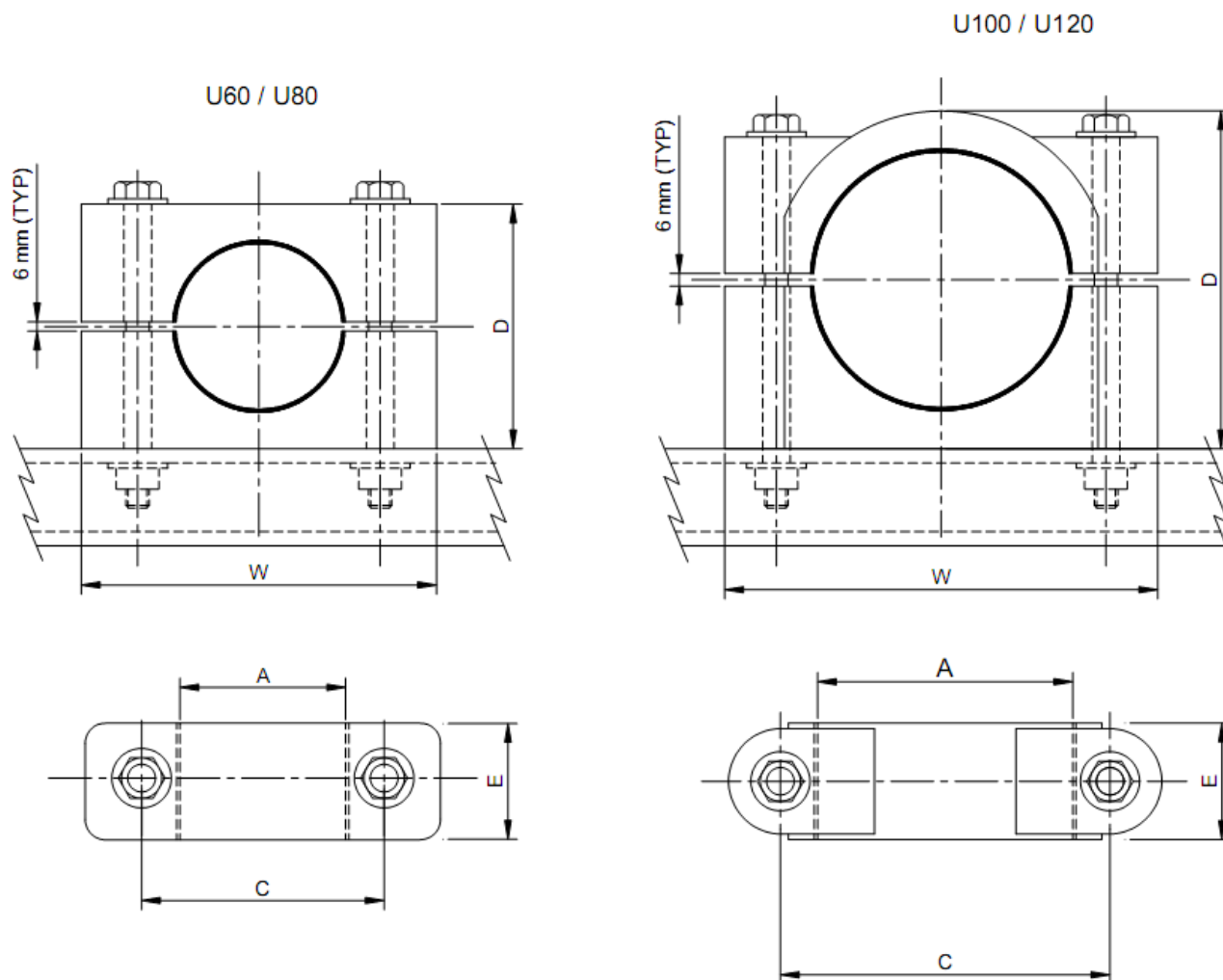




## GLASS REINFORCED COMPOSITE CABLE CLEATS – CHANNEL MOUNTED [U-TYPE]

To support medium and high voltage power transmission cables, typically from 33 kV to 500 kV



Part number	Cable diameter A	Bolt size	C	D	E	W	Safe working load kN	Short term load kN
U60/M10/*	41 to 60	M10x120	98	90	55	155	5	25
U80/M12/*	61 to 80	M12x160	114	115	55	167	5	25
U100/M12/*	81 to 100	M12x170	130	140	55	180	7	35
U120/M12/*	101 to 120	M12x200	156	160	55	205	7	35

\*Please specify outside cable diameter, A. (e.g. part number U120/M12/110 has an outside cable diameter of 110mm)

### NOTES:

- Unless otherwise stated, all dimensions are in millimetres.
- Safe working load is applicable to a continuous load in any direction.
- Short term load is applicable to a short duration overload condition in any direction.
- The standard range loads are quoted at 25°C and should be derated linearly with temperature to 50% at +160°C.
- No reduction in strength occurs below +25°C.
- Cleats are constructed from **ASEplus** 1010 SWA glass reinforced composite material.
- Maximum initial torque for fixing bolts 20Nm.

**Atlantic Supports Engineering Ltd**

Intertech Engineering Pty. Ltd.

[www.intertech-eng.com.au](http://www.intertech-eng.com.au)

Ph: +61 3 8770 5500  
Fax: +61 3 9773 5666